

Police Cyber Alarm

Mae'r cynllun gwirfoddol hwn yn cynnig monitro bygythiadau Seiber y mae sefydliadau yn eu hwynebu bob dydd pan maent yn digwydd bron iawn.

Mae Cyber Alarm yn llwyfan casglu a dadansoddi data a all gasglu data'n barhaus, heb unrhyw effaith ar weithrediadau dyddiol sefydliad.

Nid yw'r data a anfonir at y system Cyber Alarm yn cynnwys unrhyw ddata preifat neu gynnwys unrhyw draffig. Yr unig ddata a anfonir fydd metaddata (data am y traffig), nid y traffig ei hun. Ar ben hynny, bydd yn cael ei amgryptio a'i gywasgu'n ddiogel.

Bydd y data hwn yn cyfrannu at lyn data a fydd yn cael ei ddadansoddi ar lefel leol, rhanbarthol a chenedlaethol er mwyn nodi ymosodiadau a geisiwyd a hysbysu am dueddiadau cenedlaethol.

- ◆ Monitro pan mae'n digwydd bron iawn gyda hysbysu rheolaidd
- ◆ Cesglir metaddata yn unig, dim data defnyddiwr, dim cynnwys nac Eiddo Deallusol.
- ◆ Mae'n cydymffurfio â RhDDC gan nad oes data personol

Ariennir Police Cyber Alarm gan y llywodraeth ac mae'n hawdd iawn i bob sefydliad ymuno. Mae'r rhain yn cynnwys busnesau lleol, ysgolion, colegau, cynghorau, cwmnïau cyfleustodau ac unrhyw sefydliad arall a fyddai'n hoffi bod yn rhan o'r cynllun.

Manteision Police Cyber Alarm

Hysbysu Rheolaidd

Mae Sefydliadau Gwirfoddol yn derbyn adroddiadau rheolaidd sy'n rhoi manylion ymosodiadau posibl i'w hymchwilio ymhellach. Mae'r adroddiadau hefyd yn hysbysu am dueddiadau a ellir eu defnyddio i gyflwyno hyfforddiant yn fewnol.

Porthwyr Cudd-wybodaeth

Defnyddir data gan Cyber Alarm i ddarparu porthwyr gan fanylu'r bygythiadau diweddaraf. Mae hyn yn rhoi'r gallu i sefydliadau ddiweddarau rhestrau gwahardd a gwybodaeth berthnasol arall er mwyn cryfhau diogelwch.

Casglu Tystiolaeth

Bydd data gan gofnodion rhyngwyd yn cael eu gwarchod yn awtomatig er mwyn caniatáu ymchwiliad mewnol neu fel tystiolaeth os hysbysir am drosedd.

Er mwyn cofrestru ar gyfer Cyber Alarm, e-bostiwch:

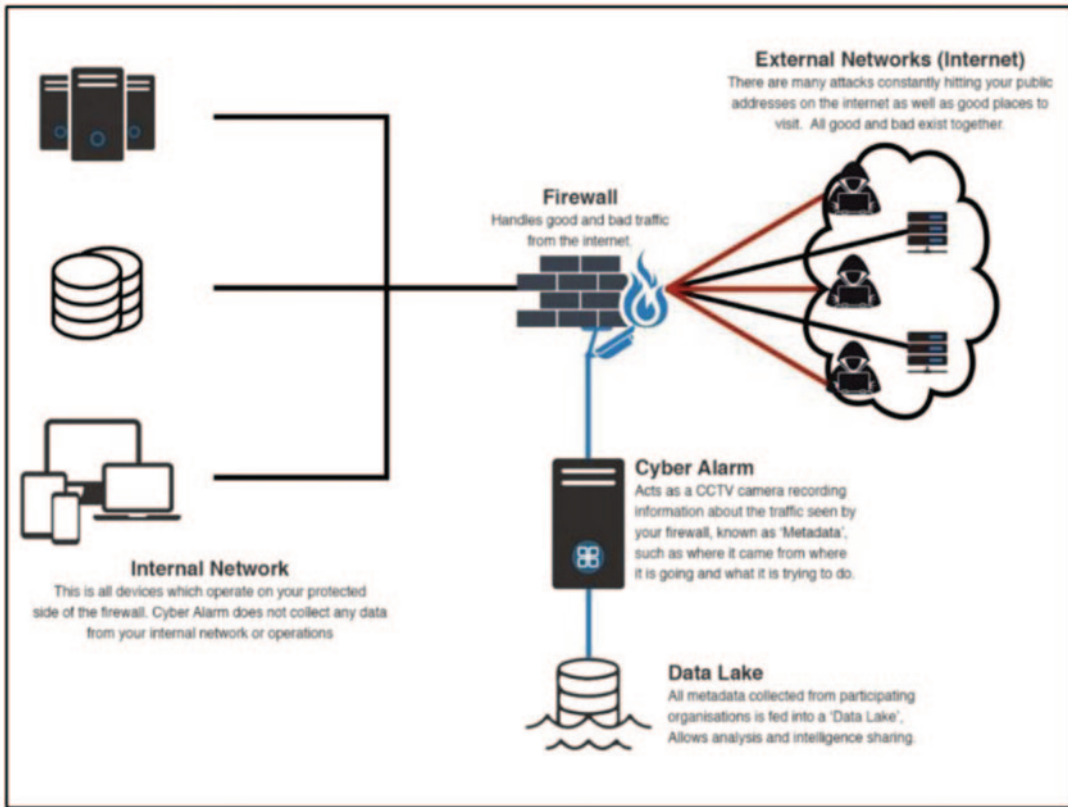
Tarian-RCCU@south-wales.pnn.police.uk

Yn y llinell testun rhwch "Cyber Alarm" gan gynnwys enw'r sefydliad, cyfeiriad, enw a safle enwebwr mewnol. Anfonir cyfarwyddiadau wedyn drwy e-bost.



OFFICIAL

Sut mae Police Cyber Alarm yn casglu Metadata?



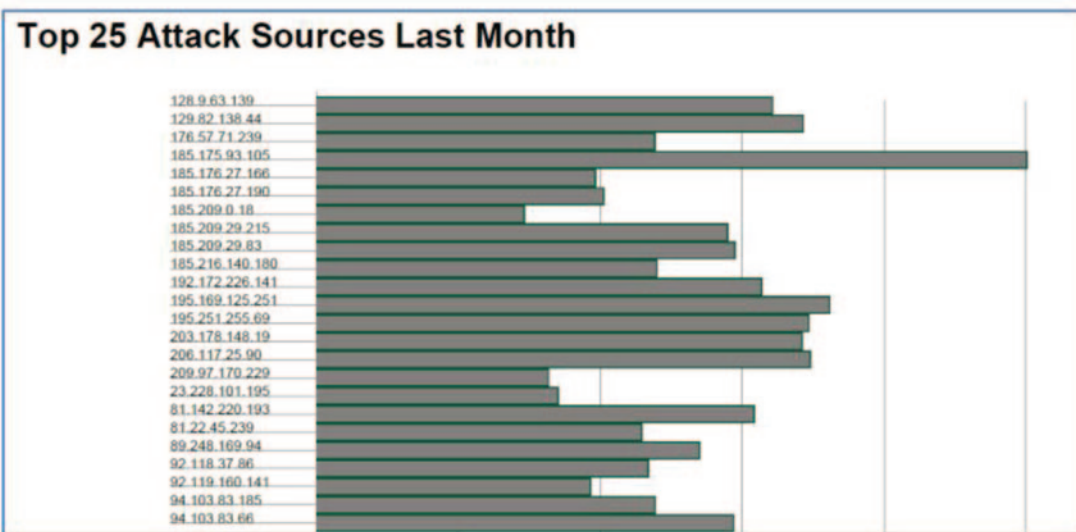
Enghraifft o Adroddiad

Isod mae darn bach o'r adroddiadau rheolaidd sydd ar gael

The data supplied in this report is to allow organisations to take informed action to mitigate themselves from known threats, attacks and risks.

International Attacks

The following tables and charts show a summary of all attacks to your organisation including those originating outside the UK and those originating inside the UK.



OFFICIAL

Police Cyber Alarm

This voluntary scheme offers near real-time monitoring of the Cyber threats that organisations face every day.

Cyber Alarm is a data collection and analysis platform that can continuously collect data, without any impact on day to day operations of an organisation.

The data sent to the Cyber Alarm system does not contain any private data or content of any traffic, the only data sent will be metadata (data about the traffic), not the traffic itself and additionally will be securely encrypted and compressed.

This data will contribute to a data lake that will be analysed at local, regional and national levels in order to identify attempted attacks and report on national trends.

- ◆ Near real-time monitoring with regular reporting
- ◆ Only metadata collected, no user data, content or Intellectual Property.
- ◆ GDPR Compliant as no personal data involved

Police Cyber Alarm is government funded and easy to join, for all organisations including local businesses, schools, colleges, councils, utilities companies and any other organisation who would like to be part of the scheme.

Benefits of Police Cyber Alarm

Regular Reporting

Volunteer Organisations receive regular reports which provides details of potential attacks for further investigation, and also informs trends which can be used to deliver training internally.

Intelligence Feeds

Data from Cyber Alarm is used to provide feeds detailing the latest threats giving organisations the ability to update blacklists and other relevant information to strengthen security.

Evidence Gathering

Data from internet facing logs will automatically be preserved to allow internal investigation or as evidence if a crime is reported.

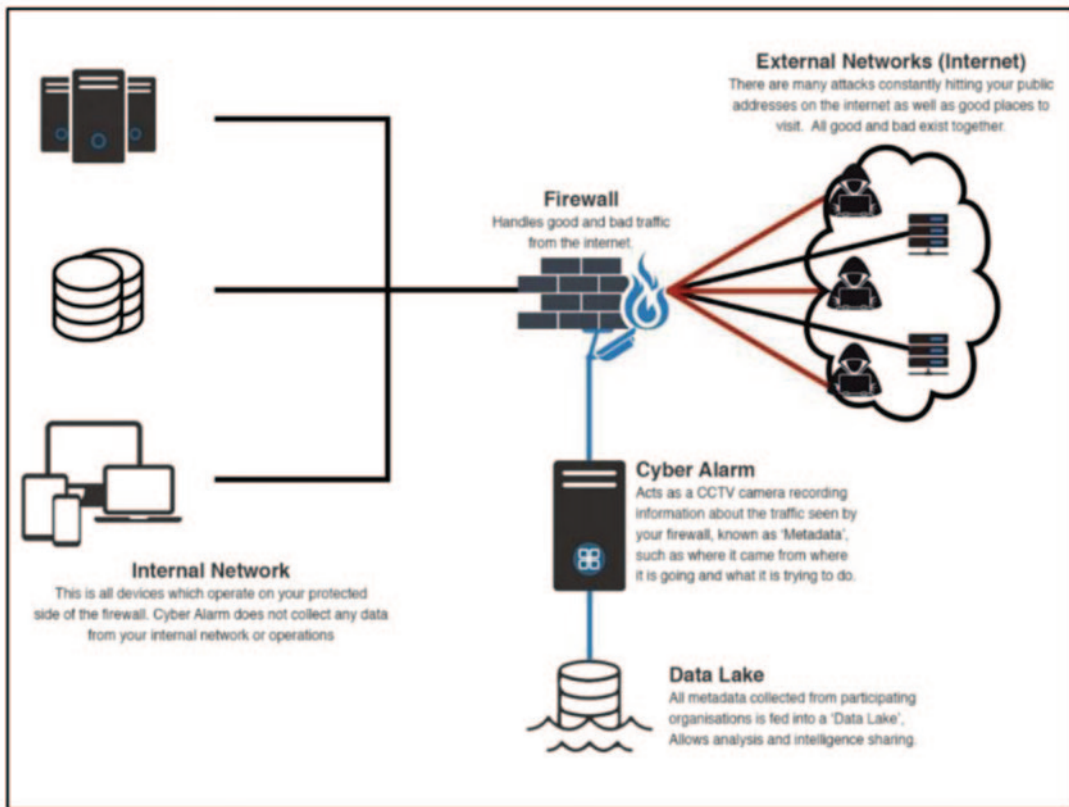
To sign up for Cyber Alarm email to: Tarian-RCCU@south-wales.pnn.police.uk.

In the subject line state “Cyber Alarm” and include the organisation name, address, internal sponsors name and position. Instructions will then be sent by email.



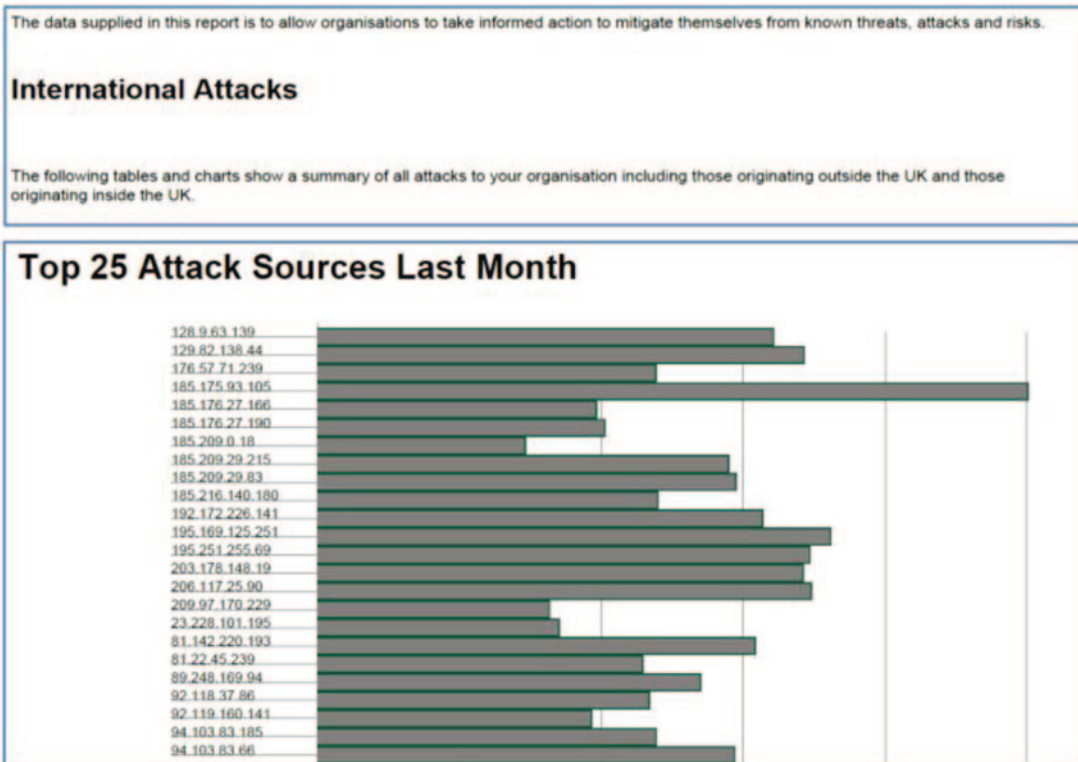
OFFICIAL

How does Police Cyber Alarm collect Metadata?



Sample Report

Below is a small extract from the regular reports available



OFFICIAL